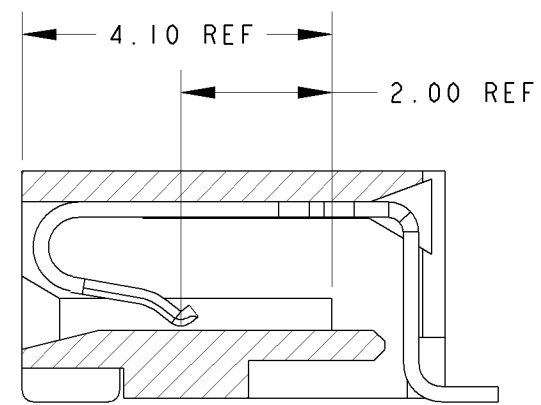
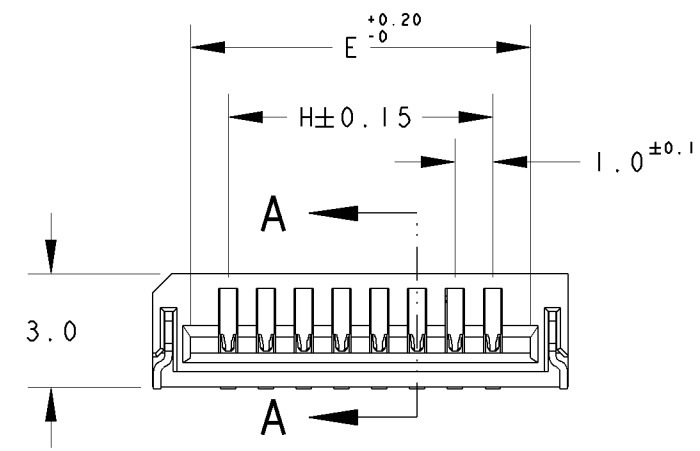
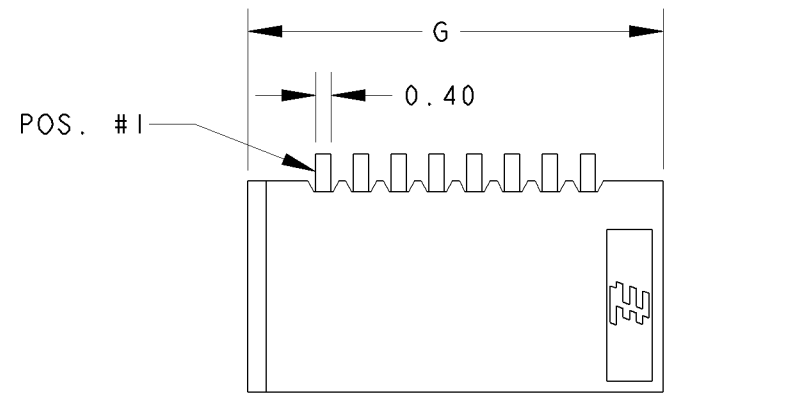


THIS DRAWING IS UNPUBLISHED. RELEASED FOR PUBLICATION .19  
 © COPYRIGHT 19 BY - ALL RIGHTS RESERVED.

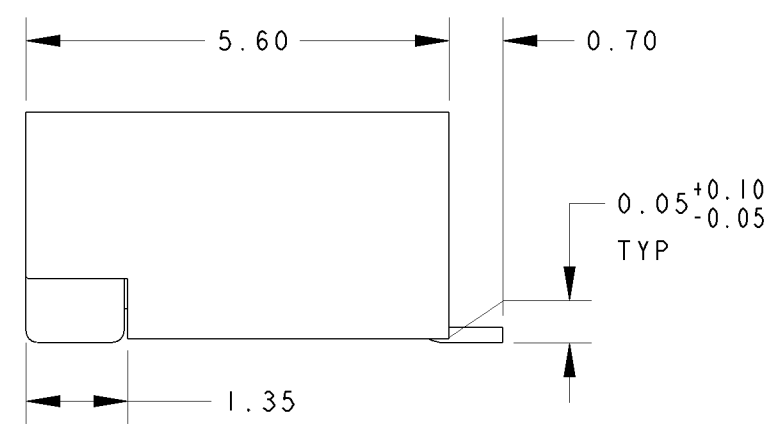
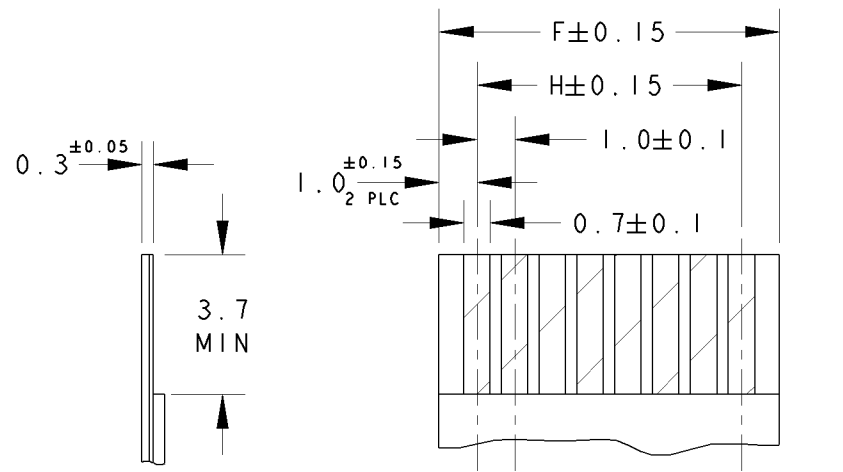
| LOC | DIST | REVISIONS                    |         |     |      |  |
|-----|------|------------------------------|---------|-----|------|--|
| P   | LTR  | DESCRIPTION                  | DATE    | DWN | APVD |  |
| DY  | -    | F2 REVISED PER ECO-11-005139 | 19MAR11 | RK  | HMR  |  |

NOTES:

- 1 MATERIAL:  
 HOUSING: GLASS FILLED HIGH TEMP NYLON, NATURAL COLOR (BEIGE)  
 CONTACT: PHOSPHOR BRONZE  
 SOLDER PEG: BRASS
- 2 FINISH: MATTE TIN OVER NICKEL UNDERPLATE
- 3. PACKAGING: TAPE & REEL (PACKAGING SPEC: 107-51189)

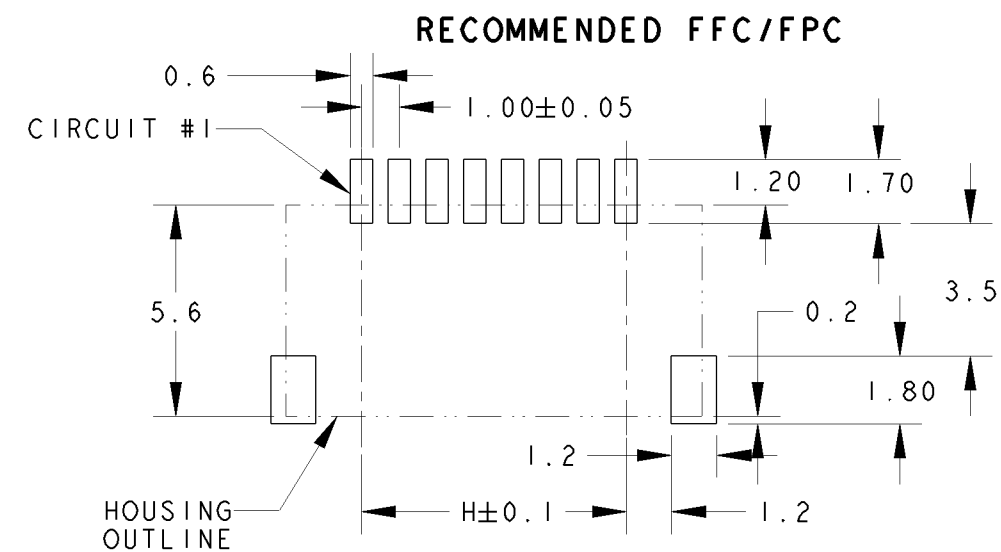


SECTION A-A  
SCALE 10:1



SCALE 10:1

|       |       |       |       |      |           |
|-------|-------|-------|-------|------|-----------|
| 29.00 | 33.00 | 31.00 | 31.00 | 30   | 3-84981-0 |
| 28.00 | 32.00 | 30.00 | 30.00 | 29   | 2- -9     |
| 27.00 | 31.00 | 29.00 | 29.00 | 28   | 2- -8     |
| 26.00 | 30.00 | 27.00 | 27.00 | 27   | 2- -7     |
| 25.00 | 29.00 | 27.00 | 27.00 | 26   | 2- -6     |
| 24.00 | 28.00 | 26.00 | 26.00 | 25   | 2- -5     |
| 23.00 | 27.00 | 25.00 | 25.00 | 24   | 2- -4     |
| 22.00 | 26.00 | 24.00 | 24.00 | 23   | 2- -3     |
| 21.00 | 25.00 | 23.00 | 23.00 | 22   | 2- -2     |
| 20.00 | 24.00 | 22.00 | 22.00 | 21   | 2- -1     |
| 19.00 | 23.00 | 21.00 | 21.00 | 20   | 2-84981-0 |
| 18.00 | 22.00 | 20.00 | 20.00 | 19   | 1- -9     |
| 17.00 | 21.00 | 19.00 | 19.00 | 18   | 1- -8     |
| 16.00 | 20.00 | 18.00 | 18.00 | 17   | 1- -7     |
| 15.00 | 19.00 | 17.00 | 17.00 | 16   | 1- -6     |
| 14.00 | 18.00 | 16.00 | 16.00 | 15   | 1- -5     |
| 13.00 | 17.00 | 15.00 | 15.00 | 14   | 1- -4     |
| 12.00 | 16.00 | 14.00 | 14.00 | 13   | 1- -3     |
| 11.00 | 15.00 | 13.00 | 13.00 | 12   | 1- -2     |
| 10.00 | 14.00 | 12.00 | 12.00 | 11   | 1- -1     |
| 9.00  | 13.00 | 11.00 | 11.00 | 10   | 1-84981-0 |
| 8.00  | 12.00 | 10.00 | 10.00 | 9    | -9        |
| 7.00  | 11.00 | 9.00  | 9.00  | 8    | -8        |
| 6.00  | 10.00 | 8.00  | 8.00  | 7    | -7        |
| 5.00  | 9.00  | 7.00  | 7.00  | 6    | -6        |
| 4.00  | 8.00  | 6.00  | 6.00  | 5    | -5        |
| 3.00  | 7.00  | 5.00  | 5.00  | 4    | 84981-4   |
| H     | G     | F     | E     | POS. | PART NO.  |



RECOMMENDED PCB LAYOUT  
(NON-ACCUMULATIVE TOLERANCE)

|          |  |   |  |                        |  |                    |  |
|----------|--|---|--|------------------------|--|--------------------|--|
| DIMS: mm |  | TOLERANCES UNLESS OTHERWISE SPECIFIED:  |  | DWN WYLEE 10JUN04      |  | TE Connectivity    |  |
|          |  | 0 PLC ±0.30<br>1 PLC ±0.30<br>2 PLC ±0.30<br>3 PLC ±<br>4 PLC ±<br>ANGLES ±3° |  | CHK LP TAN             |  |                    |  |
| MATERIAL |  | FINISH  |  | APVD SF LEONG          |  | SIZE A3            |  |
|          |  |   |  | PRODUCT SPEC 108-51054 |  | CAGE CODE 00779    |  |
|          |  |   |  | APPLICATION SPEC -     |  | DRAWING NO C-84981 |  |
|          |  |   |  | WEIGHT -               |  | SCALE 5:1          |  |
|          |  |   |  | CUSTOMER DRAWING       |  | SHEET 1 OF 1       |  |
|          |  |   |  |                        |  | REV F2             |  |